

# view-thru window awning installation instructions

1. READ THESE INSTRUCTIONS BEFORE BEGINNING ASSEMBLY.
2. DO NOT USE NAILS! USE SCREWS PROVIDED.
3. CHECK THAT EACH BRACKET IS PROPERLY SCREWED
4. DON'T HURRY YOUR WORK!

## STEP 1.

Locate points 'A' and 'B' for installing 'U' Brackets on wal or casement. (Fig1) Locate above and outside window openings or on sash. Before screwing 'U' brackets ('C' & 'D') to wall, check available mounting area directly below to receive return arms ('E').

## STEP 2.

Insert Stringers into Wall Brackets at 'A' and 'B' and attach by inserting cotter pins (Fig. 2).

## STEP 2.

With Stringers hanging against the wall, guide panels ('G') in from one end by hooking the edge of panel over top lip of the singer. Keeping the stringers in the certical position. Contor the panels with equal over-lap in respect to the window. Start from top to bottom and snap each panel over front edge of the stringer.

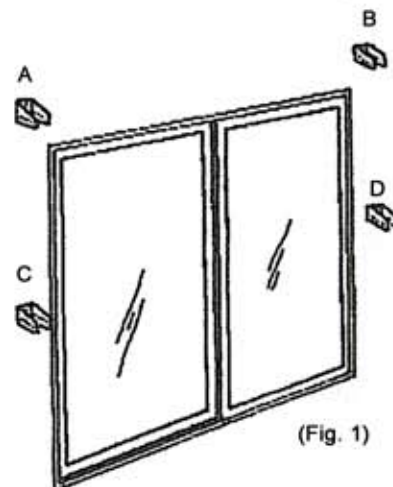
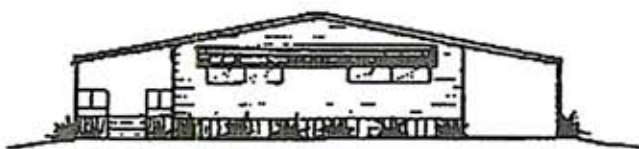
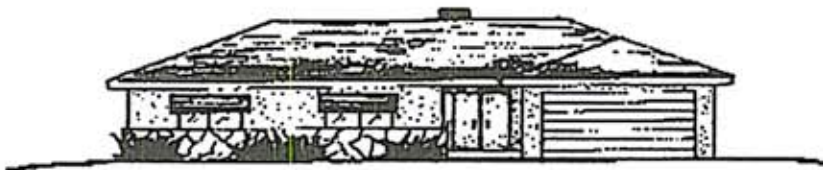
## STEP 4.

Attach Return Arms to 'U' Brackets ('C' and 'D') with collar pins. Attach Return Arms Extension ('H') to return arm with cotter pin.

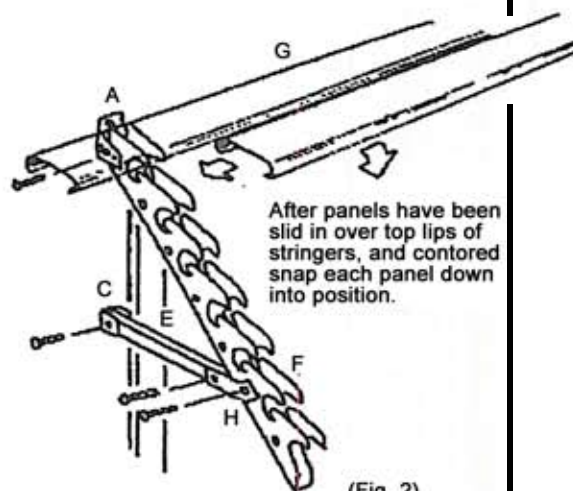
## STEP 5.

Raise front of awning and attach rturn arm extension to stringer at desired angle by punching out appropriate hole in stringer. Connect with cotter key.

## RESIDENTIAL / COMMERCIAL



(Fig. 1)

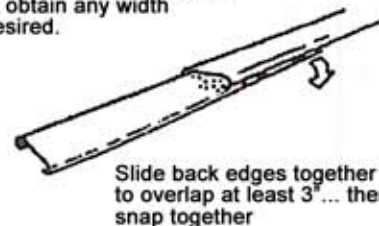


After panels have been slid in over top lips of stringers, and contored snap each panel down into position.

(Fig. 2)

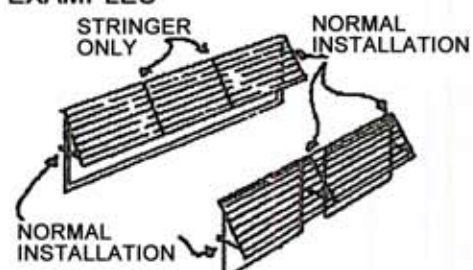
## FOR EXTRA LONG WINDOW INSTALLATIONS

Panels of different lengths may be snapped together to obtain any width desired.



Slide back edges together to overlap at least 3" ... then snap together

## EXAMPLES



NOTE: There will be items in package that are not required for those applications

## AMERICAN STRUCTURES & DESIGN inc

20133 SE 353rd Street  
Auburn, WA 98092

Phone: 253-833-4343 Toll Free: 1-877-887-9828 Fax: 253-833-4545  
cable@americanstructures.com Web: www.americanstructures.com

